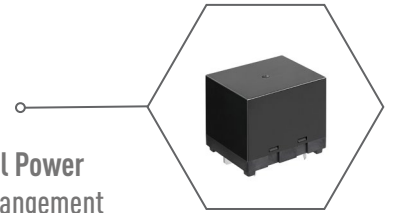


New Product Introduction

HE-N Series General Power Relays

High Capacity 120A 480V AC 1 Form A General Power Relays

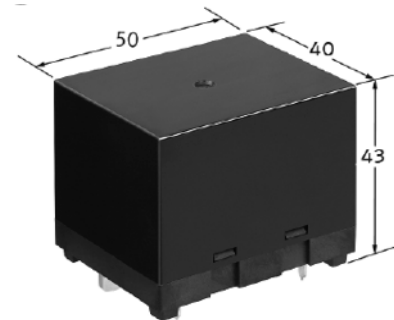
Panasonic, a worldwide leader in Relay Products, introduces the **NEW HE-N Series High Capacity General Power Relays** product line. The **New HE-N Series General Power Relays** have a 1 Form A (SPST-NO) contact arrangement and have a high switching capacity of 120A @ 480VAC or 55A @ 800VAC. **New HE-N Series Relays** also have a large contact gap of 3.6mm which is a requirement for solar inverter applications. These **New HE-N Series Relays** offer a compact size of 50mm x 40mm x 43mm which can be mounted on a PC Board without screw terminals. Their small size allows for easier design and low power consumption with only 400mW coil holding power. This fits well with the solar industry trend moving towards larger scale inverters to create more power generation and reduce costs.



Features / Benefits

- High Switching Capacity: Up to 120A @ 480VAC or 55A @ 800VAC
- Compact Size: 50mm x 40mm x 43mm
 - Saves Space On The PC Board
 - Using Wide Blade Terminals, HE-N Series Relays Can Be Mounted On A PCB Rather Than By Using Screw Terminals
- Large Contact Gap: 3.6mm Providing High Isolation Between Open Contacts For Added Safety
- Low Coil Holding Voltage: 400mW Consumes Minimal Operating Power
- RoHS Compliant

Size



Industries

- Energy
- Industrial
- Mobility

Applications

- Solar Inverter
- Energy Storage System
- Electric Vehicle Charging Station