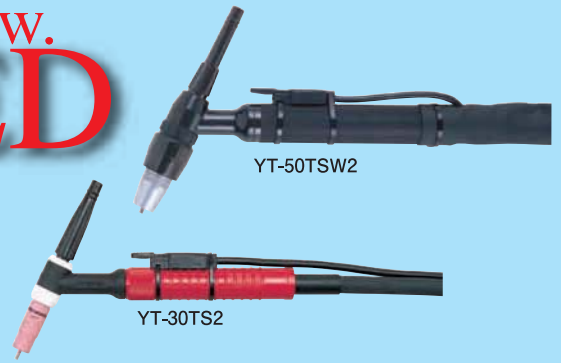


3. RED TIG TORCH 2

TIG Welding Torches

All New. RED

Higher Welding Performance, Operability and Safety.



No.	Model	Rated Current (A)		Duty Cycle (%)	Cable Length (m)	Electrode Diameter (mm) Sizes in () Optional	Nozzle Inner Diameter (mm) Sizes in () Optional	Water Flow (L/min)	Water Pressure (MPa)	Water Cooling Unit Capacity (kW)	Weight (kg)	Cooling Method
		DC	AC									
1	YT-08TS2	80	55	35	4	(0.5), (1.0), 1.6	8	—	—	—	0.9	Air-cooled
2	YT-12TS2	120	85	35	4	(0.5), (1.0), 1.6, (2.0)	6.4, (8), (10), (11), (12.7), (16)	—	—	—	0.9	Air-cooled
3	YT-15TS2	150	105	35	4	(0.5), (1.0), 1.6, (2.0), (2.4)	(6.5), 8, (9.5), (11), (12.7), (16), (19)	—	—	—	1.2	Air-cooled
4	YT-15TS2C1	150	105	35	8	(0.5), (1.0), 1.6, (2.0), (2.4)	(6.5), 8, (9.5), (11), (12.7), (16), (19)	—	—	—	2.0	Air-cooled
5	YT-15TS2TAP	150	105	35	8	(0.5), (1.0), 1.6, (2.0), (2.4)	(6.5), 8, (9.5), (11), (12.7), (16), (19)	—	—	—	2.1	Air-cooled
6	YT-20TS2	200	140	35	4	(0.5), (1.0), (1.6), (2.0), 2.4, (3.2)	(6.5), (8), 9.5, (11), (12.7), (16), (19)	—	—	—	1.8	Air-cooled
7	YT-20TS2C1	200	140	35	8	(0.5), (1.0), (1.6), (2.0), 2.4, (3.2)	(6.5), (8), 9.5, (11), (12.7), (16), (19)	—	—	—	3.0	Air-cooled
8	YT-20TS2TAD	200	140	35	8	(0.5), (1.0), (1.6), (2.0), 2.4, (3.2)	(6.5), (8), 9.5, (11), (12.7), (16), (19)	—	—	—	3.0	Air-cooled
9	YT-20TS2TAG	200	140	35	4	(0.5), (1.0), (1.6), (2.0), 2.4, (3.2)	(6.5), (8), 9.5, (11), (12.7), (16), (19)	—	—	—	1.9	Air-cooled
10	YT-20TS2TAH	200	140	35	8	(0.5), (1.0), (1.6), (2.0), 2.4, (3.2)	(6.5), (8), 9.5, (11), (12.7), (16), (19)	—	—	—	3.1	Air-cooled
11	YT-20TSW2	200	140	100	4	(0.5), (1.0), (1.6), (2.0), 2.4, (3.2)	(6.4), (8), 10, (11), (12.7), (16)	0.7 or more	0.1 to 0.35	0.75 or more	1.4	Water-cooled
12	YT-30TS2	300	210	20	4	(0.5), (1.0), (1.6), (2.0), (2.4), 3.2, (4.0)	(6.5), (8), (9.5), 11, (12.7), (16), (19)	—	—	—	2.2	Air-cooled
13	YT-30TS2C1	300	210	20	8	(0.5), (1.0), (1.6), (2.0), (2.4), 3.2, (4.0)	(6.5), (8), (9.5), 11, (12.7), (16), (19)	—	—	—	3.7	Air-cooled
14	YT-30TS2TAG	300	210	20	4	(0.5), (1.0), (1.6), (2.0), (2.4), 3.2, (4.0)	(6.5), (8), (9.5), 11, (12.7), (16), (19)	—	—	—	2.3	Air-cooled
15	YT-30TS2TAH	300	210	20	8	(0.5), (1.0), (1.6), (2.0), (2.4), 3.2, (4.0)	(6.5), (8), (9.5), 11, (12.7), (16), (19)	—	—	—	3.8	Air-cooled
16	YT-30TSW2	300	210	100	4	(0.5), (1.0), (1.6), (2.0), (2.4), 3.2, (4.0)	(6.5), (8), (9.5), 11, (12.7), (16), (19)	0.7 or more	0.1 to 0.35	0.8 or more	1.8	Water-cooled
17	YT-30TSW2C1	300	210	100	8	(0.5), (1.0), (1.6), (2.0), (2.4), 3.2, (4.0)	(6.5), (8), (9.5), 11, (12.7), (16), (19)	0.7 or more	0.1 to 0.35	1.6 or more	3.0	Water-cooled
18	YT-30TSW2TAG	300	210	100	4	(0.5), (1.0), (1.6), (2.0), (2.4), 3.2, (4.0)	(6.5), (8), (9.5), 11, (12.7), (16), (19)	0.7 or more	0.1 to 0.35	0.8 or more	1.9	Water-cooled
19	YT-30TSW2TAH	300	210	100	8	(0.5), (1.0), (1.6), (2.0), (2.4), 3.2, (4.0)	(6.5), (8), (9.5), 11, (12.7), (16), (19)	0.7 or more	0.1 to 0.35	1.6 or more	3.1	Water-cooled
20	YT-50TSW2	500	350	100	4	(1.0), (1.6), (2.0), (2.4), (3.2), 4.0, (4.8), (6.4)	(9.5), (12.7), 16, (19)	1.0 or more	0.15 to 0.35	1.9 or more	2.6	Water-cooled
21	YT-50TSW2C1	500	350	100	8	(1.0), (1.6), (2.0), (2.4), (3.2), 4.0, (4.8), (6.4)	(9.5), (12.7), 16, (19)	1.5 or more	0.2 to 0.35	3.3 or more	4.4	Water-cooled

Note: Torch switch included. *Flexible type and pencil type also available. **Optional collet and collet body required to use optional electrode.

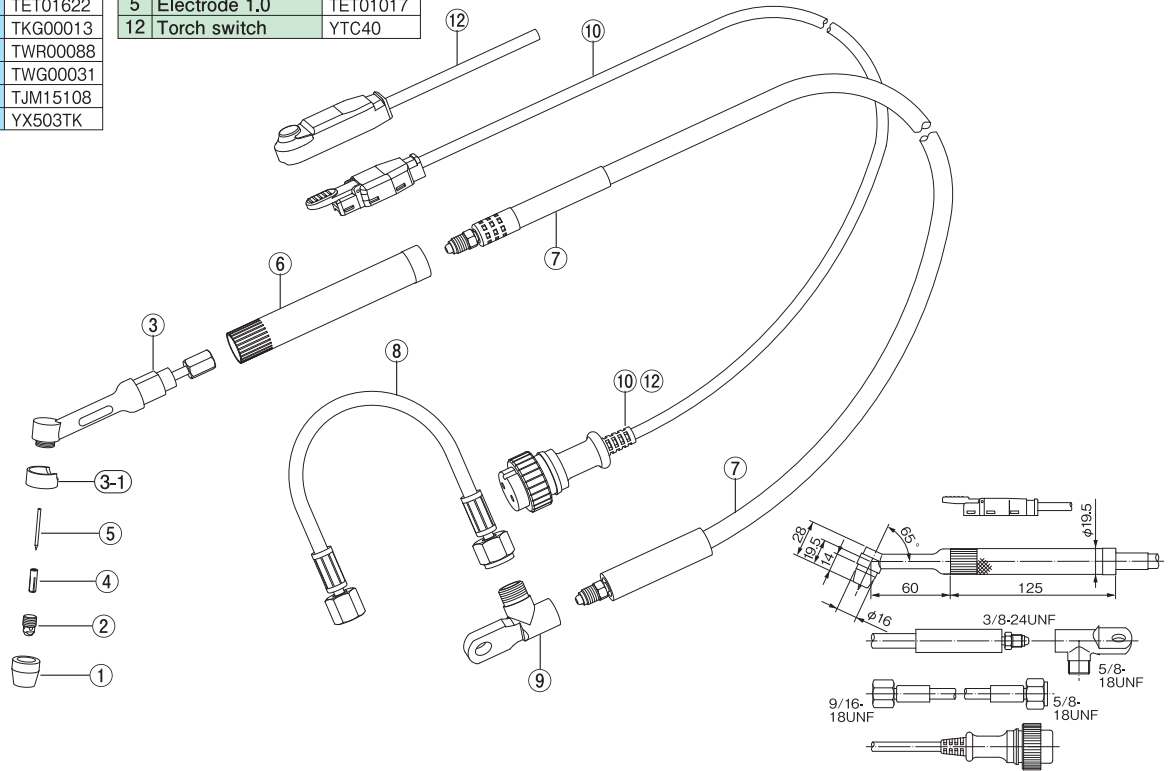
YT-08TS2

Standard Parts List

No.	Description	Part Number
1	Nozzle No.5K (φ8.0)	TGN00813
2	Collet body 1.6	TEB08103
3	Torch body assembly	TKH00100
3-1	Insulator	TFQ08101
4	Collet 1.6	TEC01611
5	Electrode 1.6	TET01622
6	Handle	TKG00013
7	Cooling cable (4 m)	TWR00088
8	Gas hose	TWG00031
9	Cable fitting	TJM15108
10	Torch switch	YX503TK

Optional Parts List

No.	Description	Part Number
2	Collet body 0.5	TEB08101
2	Collet body 1.0	TEB08102
4	Collet 0.5	TEC00505
4	Collet 1.0	TEC01010
5	Electrode 0.5	TET00502
5	Electrode 1.0	TET01017
12	Torch switch	YTC40



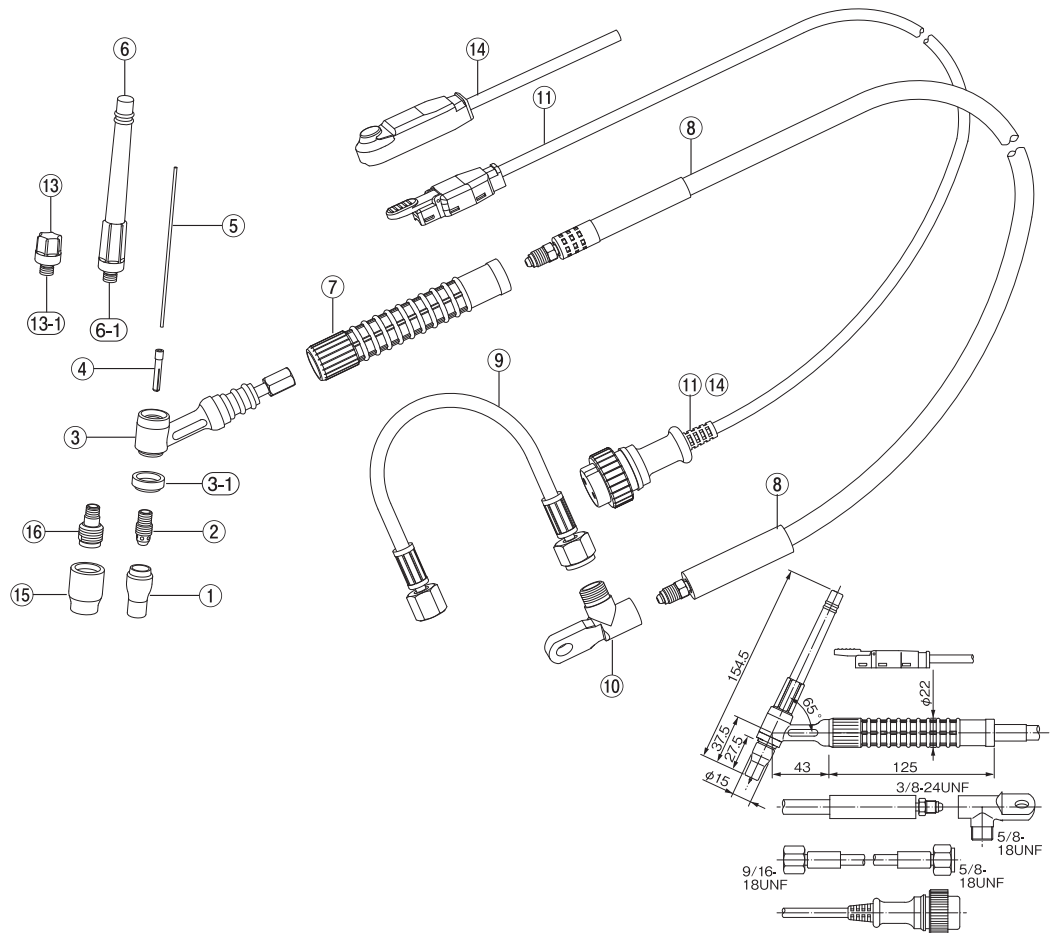
YT-12TS2

Standard Parts List

No.	Description	Part Number
1	Nozzle No.4A (φ6.4)	TGN00618
2	Collet body 1.6	TEB20125
3	Torch body	TKH00101
3-1	Insulator	TFQ00008
4	Collet 1.6	TEC01618
5	Ceri-Tun 1.6	YN16C2S
6	Cap M	TKK12103
6-1	O-ring	WP3V
7	Handle	TKG00010
8	Cooling cable	TWR00088
9	Gas cable	TWG00031
10	Cable fitting	TJM15108
11	Torch switch	YX503TK

Optional Parts List

No.	Description	Part Number
1	Nozzle No.5A (φ8.0)	TGN00819
1	Nozzle No.6A (φ10.0)	TGN00911
1	Nozzle No.7A (φ11.0)	TGN01110
1	Nozzle No.8A (φ12.7)	TGN01222
1	Nozzle No.10A (φ16.0)	TGN01677
2	Collet body 0.5	TEB20123
2	Collet body 1.0	TEB20124
2	Collet body 2.0	TEB20126
4	Collet 0.5	TEC00512
4	Collet 1.0	TEC01017
4	Collet 2.0	TEC02012
13	Cap S	TKK12105
13-1	O-ring	WP3V
14	Torch switch	YTC40
15	Thin type short GL nozzle No.5GA (φ8.0)	TGN00130
15	Thin type short GL nozzle No.6GA (φ9.5)	TGN00131
15	Thin type short GL nozzle No.7GA (φ11.0)	TGN00132
16	Thin type short GL collet body 1.6	TEB00097



●YT-15TS2 ●YT-15TS2C1 ●YT-15TS2TAP
(200BL3YNA)

■Standard Parts List

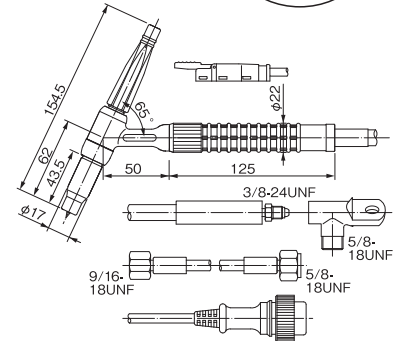
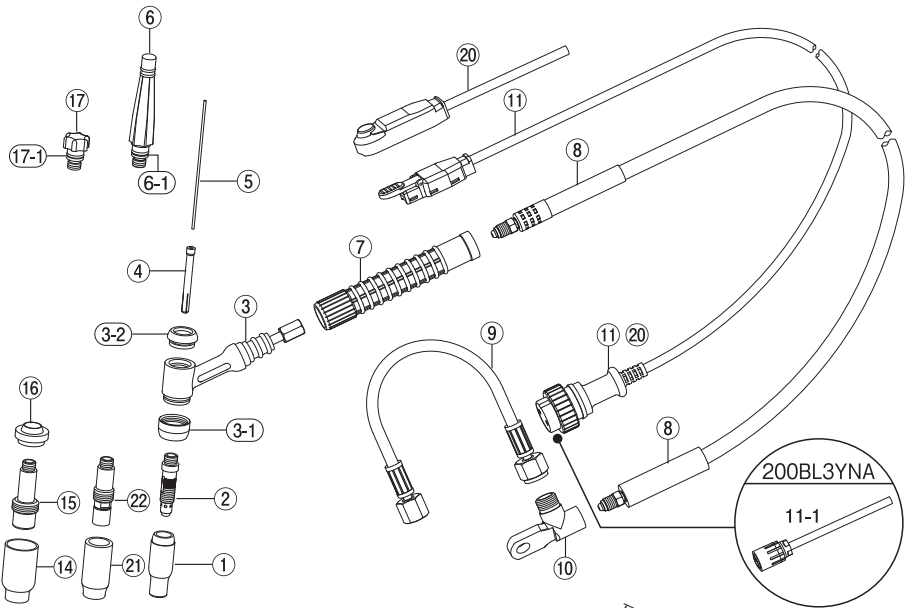
No.	Description	Type	YT-15TS2	YT-15TS2C1
1	Nozzle No.5 (φ8.0)		TGN00815	
2	Collet body 1.6		TEB00091	
3	Torch body		TKH00093	
3-1	Insulator		TFQ00007	
3-2	Upper packing		TFQ20106	
4	Collet 1.6		TEC01615	
5	Ceri-Tun 1.6		YN16C2S	
6	Cap M		TKK00018	
6-1	O-ring		WP7-4C	
7	Handle		TKG00010	
8	Cooling cable		TWR00090	TWR00091
9	Gas cable		TWG00031	
10	Cable fitting		TJM15108	
11	Torch switch		YX503TK	YX503TKC1
11-1	Torch switch		TWU00057 (for YT-15TS2TAP)	

■Optional Parts List

No.	Description	Part Number
1	Nozzle No.4 (φ6.5)	TGN00614
1	Nozzle No.6 (φ9.5)	TGN00907
1	Nozzle No.7 (φ11.0)	TGN01104
1	Nozzle No.8 (φ12.7)	TGN01220
1	Nozzle No.10 (φ16.0)	TGN01674
1	Nozzle No.12 (φ19.0)	TGN01934
2	Collet body 0.5	TEB00089
2	Collet body 1.0	TEB00090
2	Collet body 2.0	TEB00092
2	Collet body 2.4	TEB00093
4	Collet 0.5	TEC00509
4	Collet 1.0	TEC01014
4	Collet 2.0	TEC02010
4	Collet 2.4	TEC02415
13	Long nozzle No.5L (φ8.0)	TGN00816
13	Long nozzle No.7L (φ11.0)	TGN01106
14	GL nozzle No.4G (φ6.5)	TGN00616
14	GL nozzle No.5G (φ8.0)	TGN00818
14	GL nozzle No.6G (φ10.0)	TGN00908
14	GL nozzle No.7G (φ11.0)	TGN01108
14	GL nozzle No.8G (φ13.0)	TGN01218

No.	Description	Part Number
15	GL collet body 0.5	TEB30141
15	GL collet body 1.0	TEB30142
15	GL collet body 1.6	TEB30143
15	GL collet body 2.0	TEB30144
15	GL collet body 2.4	TEB30145
16	GL insulator	TFQ20105
17	Cap S	TKK15114
17-1	O-ring	WP7-4C
18	Arc spot nozzle (φ18.0)	TGN01809
19	Arc spot adaptor	TGX20102
20	Torch switch (for YT-15TS2)	YTC40
20	Torch switch (for YT-15TS2C1)	YTC80

No.	Description	Part Number
21	Thin type GL nozzle No.5GAL (φ8.0)	TGN00133
21	Thin type GL nozzle No.6GAL (φ9.5)	TGN00134
21	Thin type GL nozzle No.7GAL (φ11.0)	TGN00135
21	Thin type GL nozzle No.8GAL (φ13.0)	TGN00138
22	Thin type GL collet body 1.6	TEB00101
22	Thin type GL collet body 2.4	TEB00103



●YT-20TS2 ●YT-20TS2C1 ●YT-20TS2TAG ●YT-20TS2TAH ●YT-20TS2TAD
(BZ3/300BP4) (BZ3/300BP4) (200BR1)

■Standard Parts List

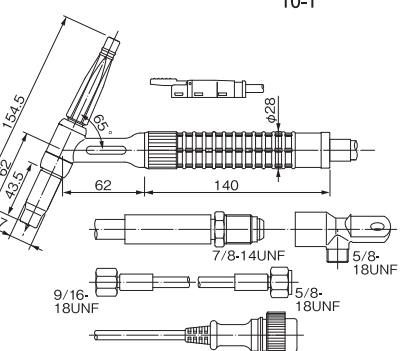
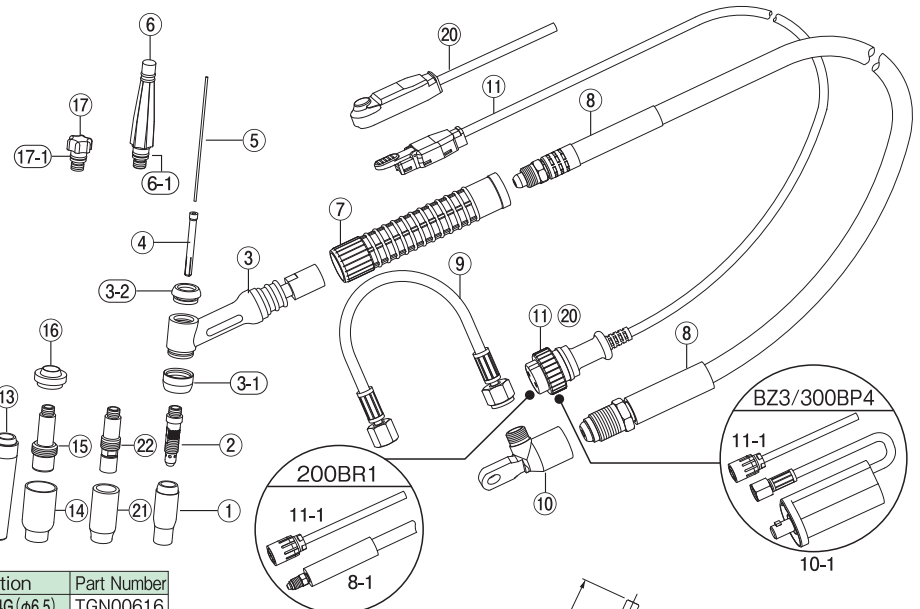
No.	Description	Type	YT-20TS2	YT-20TS2C1
1	Nozzle No.6 (φ9.5)		TGN00907	
2	Collet body 2.4		TEB00093	
3	Torch body		TKH00086	
3-1	Insulator		TFQ00007	
3-2	Upper packing		TFQ20106	
4	Collet 2.4		TEC02415	
5	Ceri-Tun 2.4		YN24C2S	
6	Cap M		TKK00018	
6-1	O-ring		WP7-4C	
7	Handle		TKG00011	
8	Cooling cable		TWR00084	TWR00085
8-1	Cooling cable		TWR00093 (for YT-20TS2TAD)	
9	Gas hose		TWG00031	
10	Cable fitting		TJM20103	
10-1	Cable fitting		TJM00038	
11	Torch switch		YX503TK	YX503TKC1
11-1	Torch switch		TWU00102	TWU00057

■Optional Parts List

No.	Description	Part Number
1	Nozzle No.4 (φ6.5)	TGN00614
1	Nozzle No.5 (φ8.0)	TGN00815
1	Nozzle No.7 (φ11.0)	TGN01104
1	Nozzle No.8 (φ12.7)	TGN01220
1	Nozzle No.10 (φ16.0)	TGN01674
1	Nozzle No.12 (φ19.0)	TGN01934
2	Collet body 0.5	TEB00089
2	Collet body 1.0	TEB00090
2	Collet body 1.6	TEB00091
2	Collet body 2.0	TEB00092
2	Collet body 3.2	TEB00095
4	Collet 0.5	TEC00509
4	Collet 1.0	TEC01014
4	Collet 1.6	TEC01615
4	Collet 2.0	TEC02010
4	Collet 3.2	TEC03209
13	Long nozzle No.5L (φ8.0)	TGN00816
13	Long nozzle No.7L (φ11.0)	TGN01106

No.	Description	Part Number
14	GL nozzle No.4G (φ6.5)	TGN00616
14	GL nozzle No.5G (φ8.0)	TGN00818
14	GL nozzle No.6G (φ10.0)	TGN00908
14	GL nozzle No.7G (φ11.0)	TGN01108
14	GL nozzle No.8G (φ13.0)	TGN01218
15	GL collet body 0.5	TEB30141
15	GL collet body 1.0	TEB30142
15	GL collet body 1.6	TEB30143
15	GL collet body 2.0	TEB30144
15	GL collet body 2.4	TEB30145
15	GL collet body 3.2	TEB30147
16	GL insulator	TFQ20105
17	Cap S	TKK15114
17-1	O-ring	WP7-4C

No.	Description	Part Number
18	Arc spot nozzle (φ18.0)	TGN01809
19	Arc spot adaptor	TGX20102
20	Torch switch (for YT-20TS2)	YTC40
20	Torch switch (for YT-20TS2C1)	YTC80
21	Thin type GL nozzle No.5GAL (φ8.0)	TGN00133
21	Thin type GL nozzle No.6GAL (φ9.5)	TGN00134
21	Thin type GL nozzle No.7GAL (φ11.0)	TGN00135
21	Thin type GL nozzle No.8GAL (φ13.0)	TGN00138
22	Thin type GL collet body 1.6	TEB00101
22	Thin type GL collet body 2.4	TEB00103
22	Thin type GL collet body 3.2	TEB00109



YT-30TS2

YT-30TS2C1

YT-30TS2TAG (BZ3/300BP4)

YT-30TS2TAH (BZ3/300BP4)

Standard Parts List

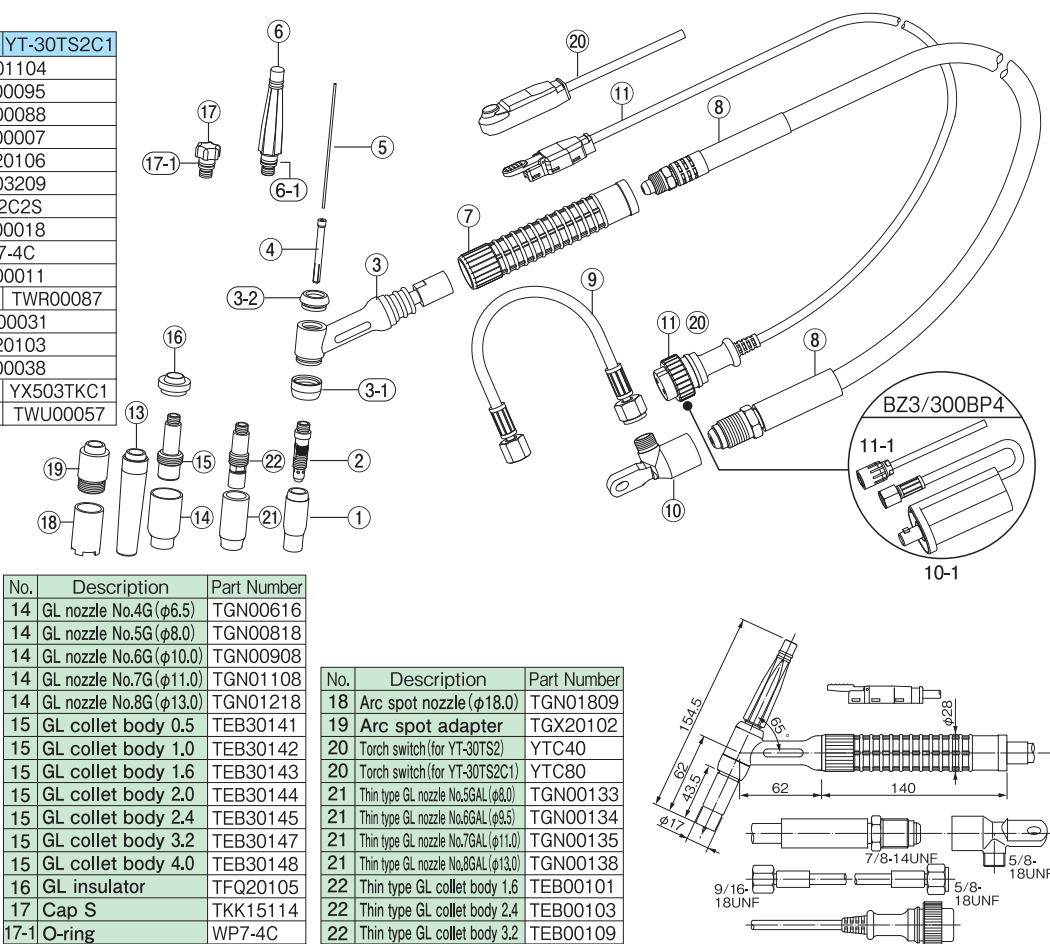
No.	Description	Type	YT-30TS2	YT-30TS2C1
1	Nozzle No.7 (φ11.0)		TGN01104	
2	Collet body 3.2		TEB00095	
3	Torch body		TKH00088	
3-1	Insulator		TFQ00007	
3-2	Upper packing		TFQ20106	
4	Collet 3.2		TEC03209	
5	Ceri-Tun 3.2		YN32C2S	
6	Cap M		TKK00018	
6-1	O-ring		WP7-4C	
7	Handle		TKG00011	
8	Cooling cable		TWR00086	TWR00087
9	Gas hose		TWG00031	
10	Cable fitting		TJM20103	
10-1	Cable fitting		TJM00038	
11	Torch switch		YX503TK	YX503TKC1
11-1	Torch switch		TWU00102	TWU00057

Optional Parts List

No.	Description	Part Number
1	Nozzle No.4 (φ6.5)	TGN00614
1	Nozzle No.5 (φ8.0)	TGN00815
1	Nozzle No.6 (φ9.5)	TGN00907
1	Nozzle No.8 (φ12.7)	TGN01220
1	Nozzle No.10 (φ16.0)	TGN01674
1	Nozzle No.12 (φ19.0)	TGN01934
2	Collet body 0.5	TEB00089
2	Collet body 1.0	TEB00090
2	Collet body 1.6	TEB00091
2	Collet body 2.0	TEB00092
2	Collet body 2.4	TEB00093
2	Collet body 4.0	TEB00096
4	Collet 0.5	TEC00509
4	Collet 1.0	TEC01014
4	Collet 1.6	TEC01615
4	Collet 2.0	TEC02010
4	Collet 2.4	TEC02415
4	Collet 4.0	TEC04005
13	Long nozzle No.5L (φ8.0)	TGN00816
13	Long nozzle No.7L (φ11.0)	TGN01106

No.	Description	Part Number
14	GL nozzle No.4G (φ6.5)	TGN00616
14	GL nozzle No.5G (φ8.0)	TGN00818
14	GL nozzle No.6G (φ10.0)	TGN00908
14	GL nozzle No.7G (φ11.0)	TGN01108
14	GL nozzle No.8G (φ13.0)	TGN01218
15	GL collet body 0.5	TEB30141
15	GL collet body 1.0	TEB30142
15	GL collet body 1.6	TEB30143
15	GL collet body 2.0	TEB30144
15	GL collet body 2.4	TEB30145
15	GL collet body 3.2	TEB30147
15	GL collet body 4.0	TEB30148
16	GL insulator	TFQ20105
17	Cap S	TKK15114
17-1	O-ring	WP7-4C

No.	Description	Part Number
18	Arc spot nozzle (φ18.0)	TGN01809
19	Arc spot adapter	TGX20102
20	Torch switch (for YT-30TS2)	YTC40
20	Torch switch (for YT-30TS2C1)	YTC80
21	Thin type GL nozzle No.5GAL (φ8.0)	TGN00133
21	Thin type GL nozzle No.6GAL (φ9.5)	TGN00134
21	Thin type GL nozzle No.7GAL (φ11.0)	TGN00135
21	Thin type GL nozzle No.8GAL (φ13.0)	TGN00138
22	Thin type GL collet body 1.6	TEB00101
22	Thin type GL collet body 2.4	TEB00103
22	Thin type GL collet body 3.2	TEB00109



YT-20TSW2

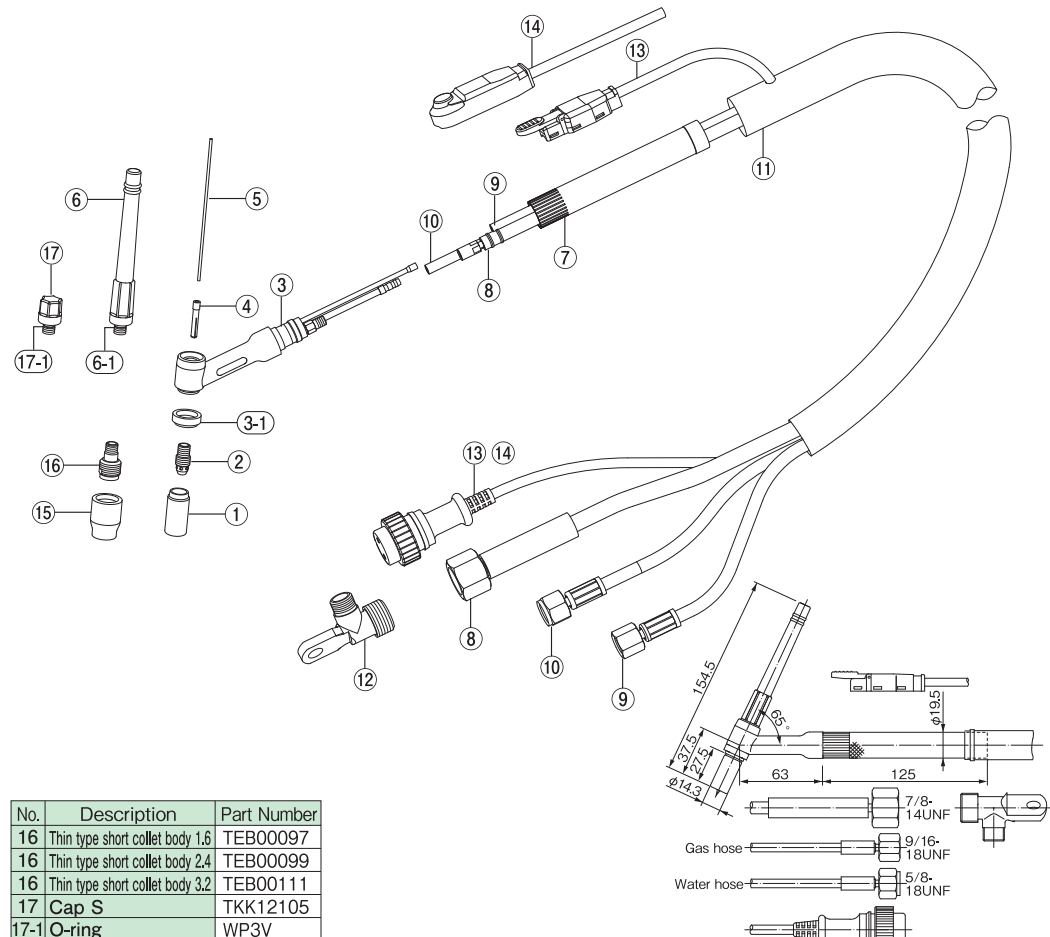
Standard Parts List

No.	Description	Part Number
1	Nozzle No.6A (φ10.0)	TGN00911
2	Collet body 2.4	TEB20127
3	Torch body	TKH00102
3-1	Insulator	TFQ00008
4	Collet 2.4	TEC02418
5	Ceri-Tun 2.4	YN24C2S
6	Cap M	TKK12103
6-1	O-ring	WP3V
7	Handle	TKG00013
8	Cooling cable	TWR00077
9	Gas hose	TWG30121
10	Water hose	TWW00025
11	Hose cover	TWK30116
12	Cable fitting	TJM15106
13	Torch switch	YX503TK

Optional Parts List

No.	Description	Part Number
1	Nozzle No.4A (φ6.4)	TGN00618
1	Nozzle No.5A (φ8.0)	TGN00819
1	Nozzle No.7A (φ11.0)	TGN01110
1	Nozzle No.8A (φ12.7)	TGN01222
1	Nozzle No.10A (φ16.0)	TGN01677
2	Collet body 0.5	TEB20123
2	Collet body 1.0	TEB20124
2	Collet body 1.6	TEB20125
2	Collet body 2.0	TEB20126
2	Collet body 3.2	TEB20128
4	Collet 0.5	TEC00512
4	Collet 1.0	TEC01017
4	Collet 1.6	TEC01618
4	Collet 2.0	TEC02012
4	Collet 3.2	TEC03212
11	Hose cover	TWK00034
14	Torch switch	YTC40
15	Thin type short GL nozzle No.5GA (φ8.0)	TGN00130
15	Thin type short GL nozzle No.6GA (φ9.5)	TGN00131
15	Thin type short GL nozzle No.7GA (φ11.0)	TGN00132

No.	Description	Part Number
16	Thin type short collet body 1.6	TEB00097
16	Thin type short collet body 2.4	TEB00099
16	Thin type short collet body 3.2	TEB00111
17	Cap S	TKK12105
17-1	O-ring	WP3V



●YT-30TSW2

●YT-30TSW2C1

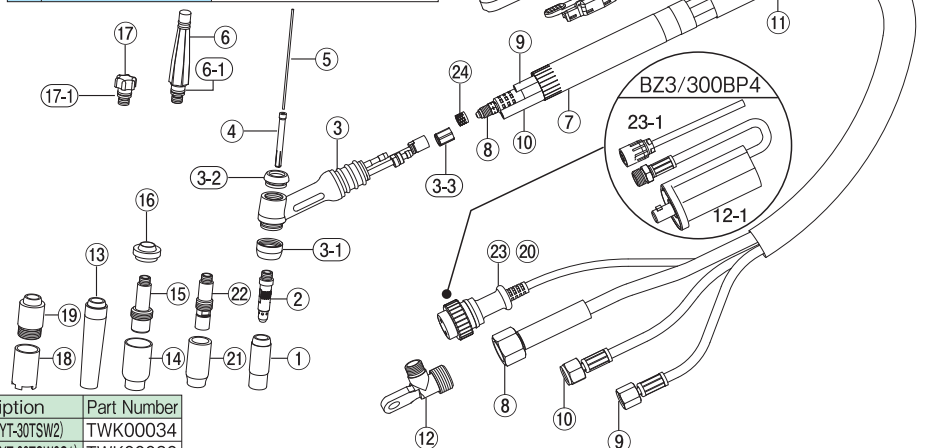
●YT-30TSW2TAG (BZ3/300BP4)

●YT-30TSW2TAH (BZ3/300BP4)

Standard Parts List

No.	Description	Type	YT-30TSW2	YT-30TSW2C1
1	Nozzle No.7 (φ11.0)		TGN01104	
2	Collet body 3.2		TEB00095	
3	Torch body		TKH00103	
3-1	Insulator		TFQ00007	
3-2	Upper packing		TFQ20106	
3-3	Water hose nut		TMN00035	
4	Collet 3.2		TEC03209	
5	Ceri-Tun 3.2		YN32C2S	
6	Cap M		TKK00018	
6-1	O-ring		WP7-4C	
7	Handle		TKG00012	
8	Cooling cable		TWR00075	TWR00076
9	Gas hose		TWG30121	TWG30122
10	Water hose		TWG30117	TWG30118
11	Hose cover		TWK30116	TWK30117
12	Cable fitting		TJM15106	
12-1	Cable fitting		TJM00041	

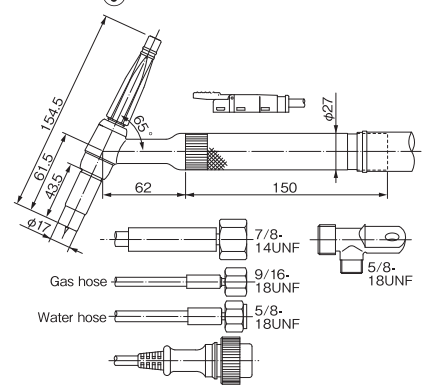
No.	Description	Type	YT-30TSW2	YT-30TSW2C1
23	Torch switch		YX503TK	YX503TKC1
23-1	Torch switch		TWU00102	TWU00057
24	Gas hose nut		TMN00011	



Optional Parts List

No.	Description	Part Number	No.	Description	Part Number
1	Nozzle No.4 (φ6.5)	TGN00614	11	Hose cover (for YT-30TSW2)	TWK00034
1	Nozzle No.5 (φ8.0)	TGN00815	11	Hose cover (for YT-30TSW2C1)	TWK00036
1	Nozzle No.6 (φ9.5)	TGN00907	13	Long nozzle No.5L (φ8.0)	TGN00816
1	Nozzle No.8 (φ12.7)	TGN01220	13	Long nozzle No.7L (φ11.0)	TGN01106
1	Nozzle No.10 (φ16.0)	TGN01674	14	GL nozzle No.4G (φ6.5)	TGN00616
1	Nozzle No.12 (φ19.0)	TGN01934	14	GL nozzle No.5G (φ8.0)	TGN00818
2	Collet body 0.5	TEB00089	14	GL nozzle No.6G (φ10.0)	TGN00908
2	Collet body 1.0	TEB00090	14	GL nozzle No.7G (φ11.0)	TGN01108
2	Collet body 1.6	TEB00091	14	GL nozzle No.8G (φ13.0)	TGN01218
2	Collet body 2.0	TEB00092	15	GL collet body 0.5	TEB30141
2	Collet body 2.4	TEB00093	15	GL collet body 1.0	TEB30142
2	Collet body 4.0	TEB00096	15	GL collet body 1.6	TEB30143
4	Collet 0.5	TEC00509	15	GL collet body 2.4	TEB30145
4	Collet 1.0	TEC01014	15	GL collet body 3.2	TEB30147
4	Collet 1.6	TEC01615	15	GL collet body 4.0	TEB30148
4	Collet 2.0	TEC02010	16	GL insulator	TFQ20105
4	Collet 2.4	TEC02415	17	Cap S	TKK15114
4	Collet 4.0	TEC04005	17-1	O-ring	WP7-4C

No.	Description	Part Number
18	Arc spot nozzle	TGN01809
19	Arc spot adaptor	TGX20102
20	Torch switch (for YT-30TSW2)	YTC40
20	Torch switch (for YT-30TSW2C1)	YTC80
21	Thin type GL nozzle No.5GL (φ8.0)	TGN00133
21	Thin type GL nozzle No.6GL (φ9.5)	TGN00134
21	Thin type GL nozzle No.7GL (φ11.0)	TGN00135
21	Thin type GL nozzle No.8GL (φ13.0)	TGN00138
22	Thin type GL collet body 1.6	TEB00101
22	Thin type GL collet body 2.4	TEB00103
22	Thin type GL collet body 3.2	TEB00109

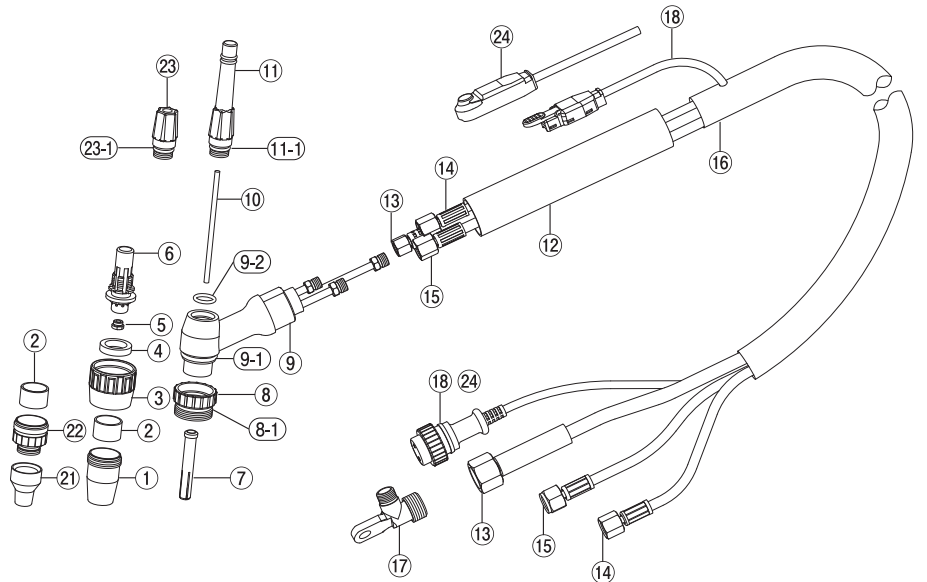


●YT-50TSW2

●YT-50TSW2C1

Standard Parts List

No.	Description	Type	YT-50TSW2	YT-50TSW2C1
1	Metal nozzle No.10M (φ16.0)		TGN01673	
2	Insulating sleeve		TZT02001	
3	Jacket		TKU50123	
4	Packing		TFQ50104	
5	GS tip 4.0		TET04003	
6	Collet body		TEB50150	
7	Collet 4.0		TEC04007	
8	Adapter		TKU50124	
8-1	O-ring		P24V	
9	Torch body		TKH00083	
9-1	O-ring		P24V	
9-2	O-ring		WP11	
10	Ceri-Tun 4.0		YN40C2S	
11	Cap L		TKK50104	
11-1	O-ring		WP10-4C	
12	Handle		TKG50102	
13	Cooling cable		TWR00078	TWR00079
14	Gas hose		TWG00028	TWG00029
15	Water hose		TWW00026	TWW00027
16	Hose cover		TWK50157	TWK50158
17	Cable fitting		TJM15106	
18	Torch switch		YX503TK	YX503TKC1



Optional Parts List

No.	Description	Part Number	No.	Description	Part Number
1	Metal nozzle No.6M (φ9.5)	TGN00909	7	Collet 3.2	TEC03211
1	Metal nozzle No.8M (φ12.7)	TGN01219	7	Collet 4.8	TEC04802
1	Metal nozzle No.12M (φ19.0)	TGN01933	16	Hose cover (for YT-50TSW2)	TWK00034
5	GS tip 1.0	TET01008	16	Hose cover (for YT-50TSW2C1)	TWK00036
5	GS tip 1.6	TET01614	21	Ceramic nozzle No.5C (φ8.0)	TGN00817
5	GS tip 2.0	TET02013	21	Ceramic nozzle No.6C (φ9.5)	TGN00910
5	GS tip 2.4	TET02411	21	Ceramic nozzle No.7C (φ11.0)	TGN01107
5	GS tip 3.2	TET03207	21	Ceramic nozzle No.8C (φ12.7)	TGN01221
5	GS tip 4.8	TET04803	22	Ceramic nozzle adaptor	TGX50102
7	Collet 1.0	TEC01016	23	Cap S	TKK50105
7	Collet 1.6	TEC01617	23-1	O-ring	WP10
7	Collet 2.0	TEC00001	24	Torch switch (for YT-50TSW2)	YTC40
7	Collet 2.4	TEC02417	24	Torch switch (for YT-50TSW2C1)	YTC80

